



5 Year
Warranty



50,000
Hours



IP65
Zone 1+2



Dimmable



Beam Angle
is 60°



700
Lumens



Fire Rated
30/60/90



16V



CE Mark



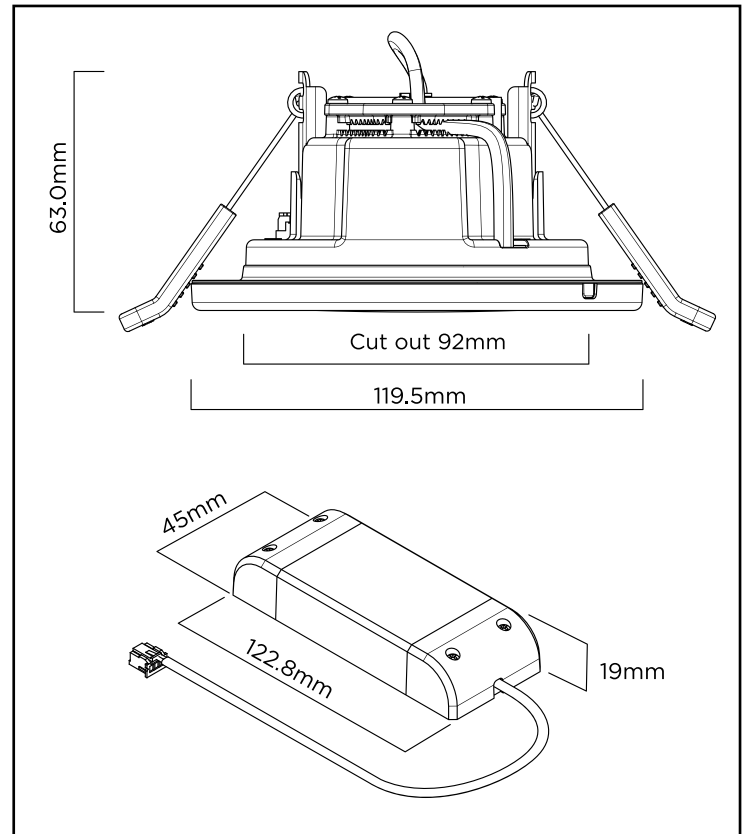
Driver
Included

Important Information

- The luminaire must be installed in accordance with local wiring regulations if in doubt seek advice from a qualified electrician.
- Before installing or completing maintenance work on the luminaire make sure the mains power is switched off.
- The luminaire is designed for indoor use only.
- The luminaire is dimmable, a trailing-edge dimmer must be used.
- The light source of this luminaire is not replaceable; when the light source reaches its end of life the whole luminaire must be replaced.
- The luminaire is fire rated 30/60/90 minutes under EN1365-2014 fire test.
- The luminaire is IP65 rated (Zone 1) so is suitable to be installed in bathrooms
- The driver provided is the only driver that can be used with this luminaire.

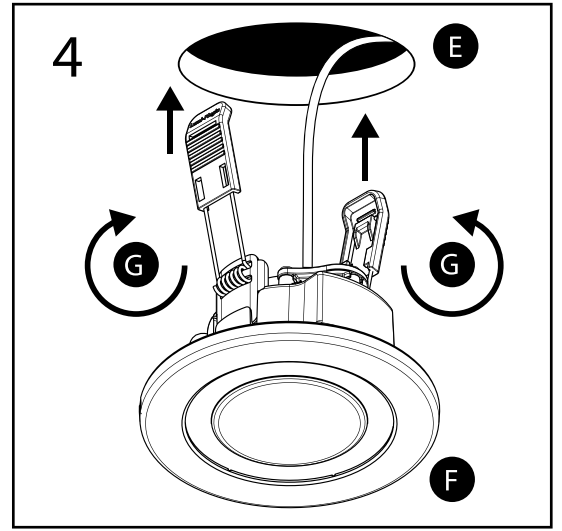
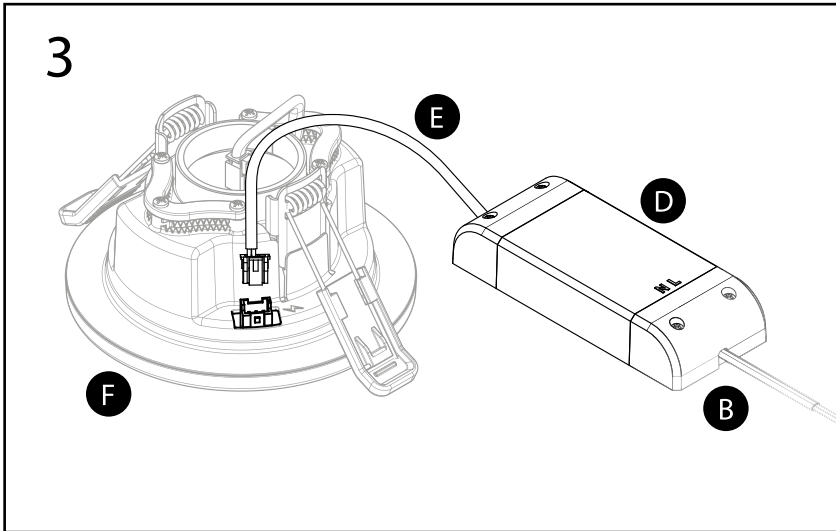
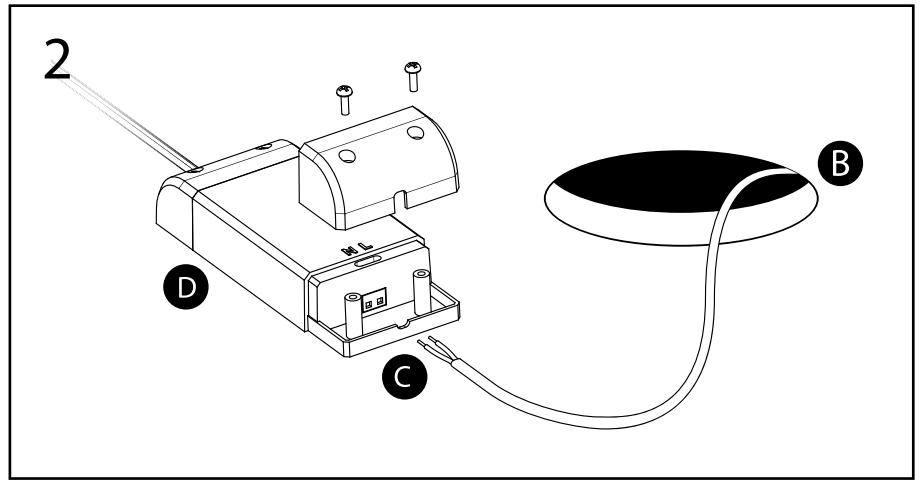
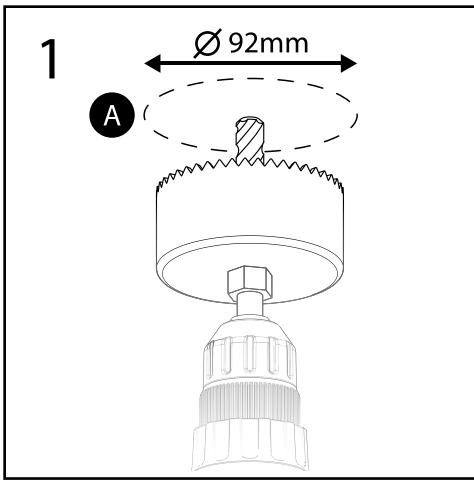
Technical Specification

| Brand: | Lumi-Plugin |
|----------------------------|---------------------------|
| Available Colours: | White or Chrome |
| IP Rating: | IP65 |
| Material: | Mixed (Metal and Plastic) |
| Input Voltage to Luminaire | 16V |
| Input Voltage to Driver | 240V |
| Power Output: | 9.5W |
| Colour Temp: | 4000K or 2700K |
| Light Colour: | Cool White or Warm White |
| Dimmable: | Yes |
| Fire Rating: | 30/60/90 |
| Luminaires per pack: | 1 |
| Product Diameter: | 120mm |
| Product Depth: | 70mm |
| Hours: | 50,000 |
| Lumens: | 700L |
| Beam Angle: | 60° |



Guarantee

- This product is guaranteed for a period of 5 years or 50,000 hours depending which comes first.
- The guaranteed period is invalid if the luminaire has been tampered with, removal of the luminaire labels; manufacturing label, rating label and serial label or the luminaire has not been installed in accordance with local wiring regulations.
- If the product does fail within the guaranteed period Sleep Safe Systems Limited T/A Lumi-Plugin will replace the luminaire free of charge but have no responsibility for Installation, operation or maintenance costs.
- Lumi-Plugin reserves the right to change the product specification without notice.

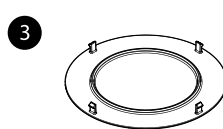
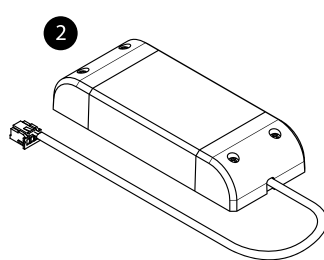
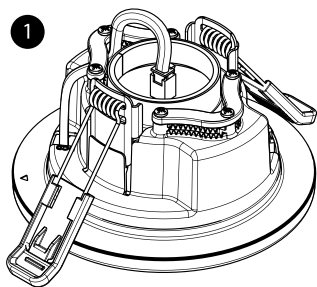


A Ceiling surface **B** Mains supply **C** Live / Neutral cable **D** LED Driver **E** LED Driver output cable **F** Lumi-Plugin Downlight **G** Spring clips

Installation Instructions

- 1) Cut a circular hole in the ceiling (a) 92mm in diameter where the luminaire is going to be installed. Do not exceed the cutting diameter. (Diagram 1)
- 2) Remove the screws on the LED driver (d) and remove end cap. Take a supply feed from the lighting ring main (b). Strip off the end of the cable (c) and connect to the LED driver (d). Put the end cap back onto the LED driver (d) and insert screws. (Diagram 2)
- 3) Connect the LED Driver output cable to the luminaire. Feed the mains supply cable (b) and LED driver (d) back through the 92mm cut out hole. (Diagram 3)
- 4) Lift both springs so they are in the upwards position then insert the luminaire into the 92mm cut out hole in the ceiling. Make sure no cables are trapped under the springs and that the luminaire is centred in the hole.

PACK CONTENTS



- 1 Lumi-Plugin LED Downlight including spring clips.
- 2 LED Driver, complete with mini connector
- 3 1 x Standard cap
Note: Each pack comes with a set of White or Chrome caps.

Call +44 (0)33 0380 1329 or visit lumi-plugin.com for more information